

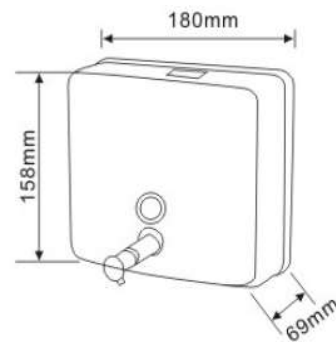
- Vertical liquid soap dispenser for hang on wall.
- Suitable for high traffic facilities.
- Strong, vandal proof and built without cutting edges.
- Satin finish.

#### COMPONENTS & MATERIALS

- Stainless steel AISI 304 body.
- Fully welded structure, highly resistant.
- Security lock with standard key.
- It normally goes with a warm air hand dryer.
- Suitable for chlorine-free hand soap with neutral PH.
- Chromed brass piston.
- Chromed-plated ABS thermoplastic valve.
- Anti vandal polycarbonate soap level viewer.
- Assembling: 3 assembling points completely hidden.
- Delivered with an special key and 3mm screws.

Reference: 13.115      capacity: 1.2L

Reference: 13.116      capacity: 0.8L



#### TECHNICAL SPECIFICATIONS

· Pressure pulsation	26,0 N
· Quantity dispensed per pump	1-1.2ml
· Weight(empty)	0.8 kg (13.115)
· Weight(empty)	0.77kg (13.116)

