



15.251.S, 15.252.S  
stain finish

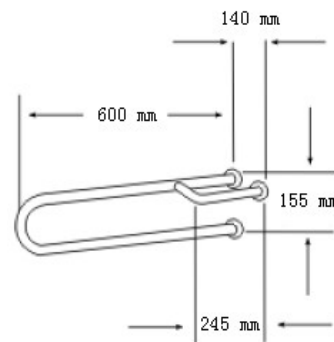


15.253.S, 15.254.S  
stain finish

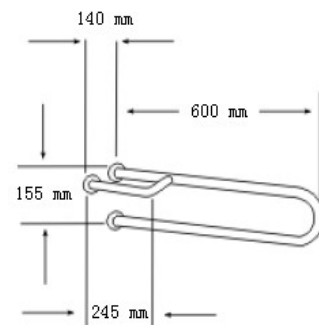
- Wall to wall grab bar with snap flange cover, with three support points.
- Made of a diameter of 32 mm AISI 304 stainless steel tube.
- Suitable for washbasins and toilets.
- Highest durability and rusting resistance.
- Supplied with plugs and screws to fix the bar to a brick wall.

### COMPONENTS & MATERIALS

- Ø32 mm tube grab. Steel thickness: 1,2 mm.
- Stainless steel screws and volts for masonry walls.
- Incorporates 6 screws holes for wall mounting.
- **15.251.S, 15.252.S left hand.**
- **15.253.S, 15.254.S right hand.**



15.251.S 600 mm  
15.252.S 800 mm



15.253.S 600 mm  
15.254.S 800 mm

### TECHNICAL SPECIFICATIONS

Dimension	see version table
Bar tube	Ø32 mm
Bar tube thickness	1.2 mm